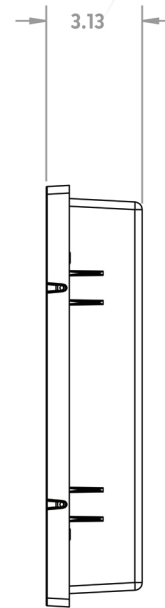
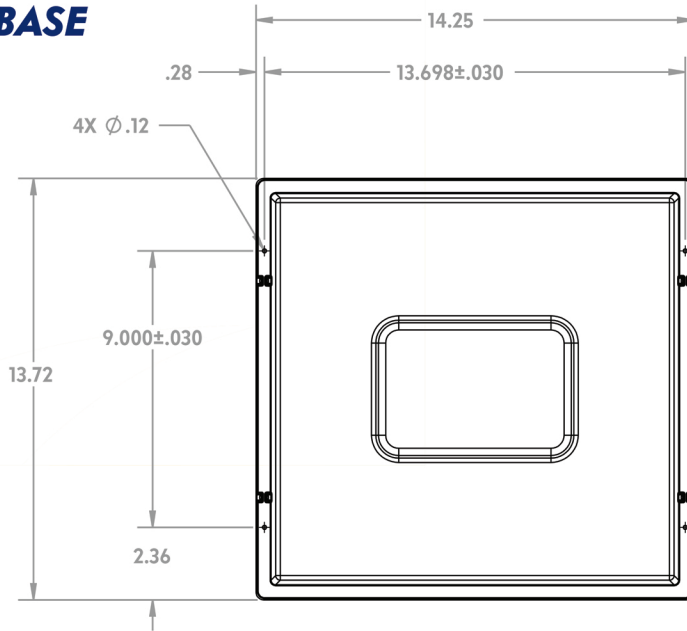




INGENII™

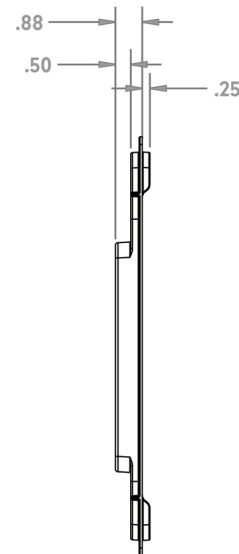
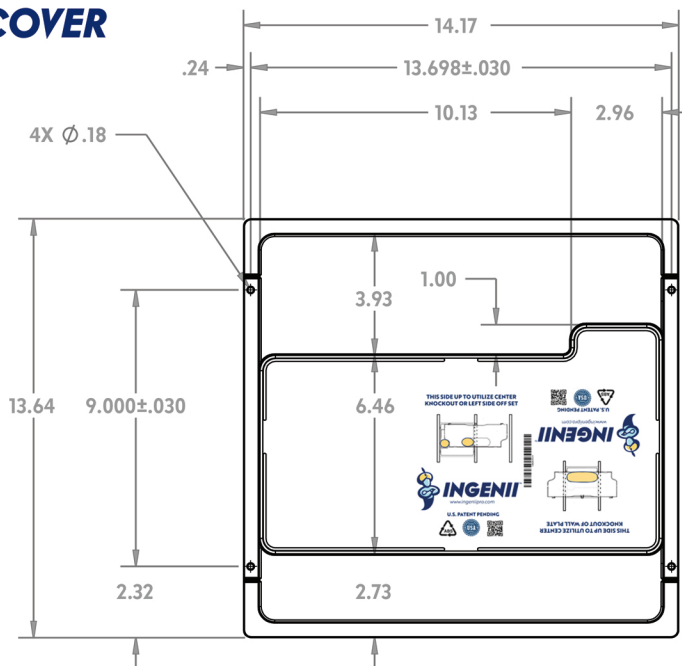
GEN2™ BOX Spec Sheet

BASE



DIMENSIONS NOTED IN INCHES

COVER



© Ingenii Holdings. All rights reserved. U.S. Patent Pending.
 Made in the USA. Designed and manufactured in Everett, WA.
 Specifications are subject to change without notice. 10/05/21.

INGENUITY APPLIED
 ingenii.pro.com



I-GEN2-AF

PROJECT INFORMATION

Job Name: _____
 Location: _____
 Engineer: _____
 Submitted by: _____
 For: Reference Approval Construction
 Submitted to: _____
 Reference: _____

SUBMITTAL INFORMATION

Approval: _____
 Date: _____
 Construction: _____
 Unit#: _____
 Drawing#: _____

PRODUCT SPECIFICATIONS

GEN2™ BOX PRODUCT IMAGE

- Dimensions: 13.75" (H) x 14.25" (W) x 3.25" (D)
- Weight: 2.5lbs
- Finished Cutout opening: 6.5"(H) x 13" (W)
- Bottom, Top or Side Lineset ports: Yes
- Bottom, Top or Side Drain outlet: Yes
- Bottom, Top or Side Wiring inlets: Yes
- Area for Wifi/Communication Adapter: Yes
- Mounting area for pump/reservoir: Yes
- Direct Drain Connection: No
- Material: ABS
- Fire Rated: Yes - 5VA
- Stud Centers: 16"
- Fits wooden studs: Yes
- Fits metal studs: Yes



OPTIONAL LINESET ENTRY/DRAIN CONFIGURATIONS

